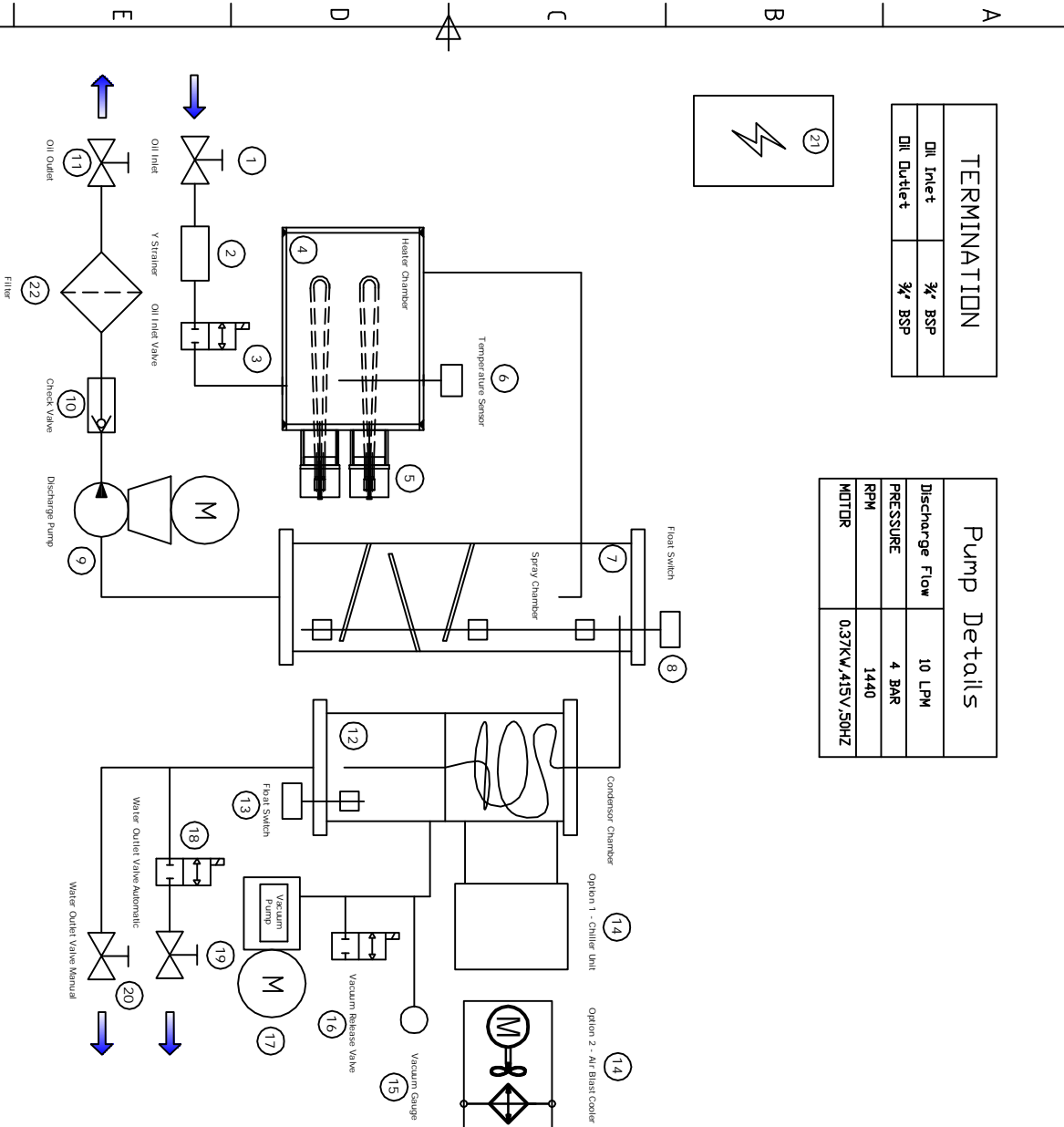


TERMINATION

Oil Inlet	3/4" BSP
Oil Outlet	3/4" BSP

Pump Details

Discharge Flow	10 LPM
PRESSURE	4 BAR
RPM	1440
MOTOR	0.37KW,415V,50HZ



Rev	Pos No.	Description	Item Code/Tech. Spec.	Make	Qty
	1	Ball Valve	3/4" BSP	Local	1
	2	Y Strainer	3/4" BSP	Local	1
	3	2/2 Solenoid Valve	3/4" BSP	Local	1
	4	Heater Chamber	As per drawing	PECD	1
	5	Heating Element	3Ph, 2KW	Rashmi	3
	6	Temperature Sensor	PT 100	Duggal Brothers	1
	7	Spray Chamber	As per drawing	PECD	1
	8	Float Switch	As per drawing	PECD	1
	9	Discharge Pump	RTBP 10	Tushaoo	1
	10	Inline Check Valve	3/4" BSP	Hydrolite	1
	11	Ball Valve	3/4" BSP	Local	1
	12	Condensor Chamber	As per drawing	PECD	1
	13	Float Switch	As per drawing	PECD	1
	14	Chiller Unit	As per drawing	PECD	1
Option	14	Air Blast Cooler	As per drawing	PECD	1
	15	Vacuum Gauge	0-750 Hg	Local	1
	16	Vacuum Release Valve	1/2" BSP	Air	1
	17	Vacuum Pump	100 CFM	Indovac	1
	18	Water Outlet Solenoid Valve	1/2" BSP	Local	1
	19	Ball Valve	1/2" BSP	Local	1
	20	Ball Valve	1/2" BSP	Local	1
	21	Control Panel	As per drawing	PECD	1
	22	Filter	As per drawing	PECD	1

Item Ref	Quantity	Title/Name, designation, material, dimension etc	Article No./Reference
Designed by PBP	Checked by PMD	Approved by - date PMD - 01/01/14	Date 08/02/14
File name PECD		Scale 1/1	

PUNE ENERGY CONTROL DEVICES PVT. LTD. **PECD VDU** Edition 0 Sheet 1/1

